



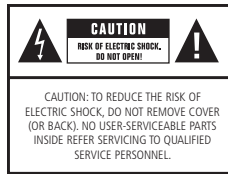
## AVS2000 PRO

PROFESSIONAL REFERENCE AUTOMATIC VOLTAGE STABILIZER™

Owner's Manual

**WARNING: The AVS 2000 Pro should not be exposed to dripping or splashing and that no objects filled with liquids, such as vases, shall not be placed on or near the apparatus.**

**WARNING: To reduce the risk of fire or electric shock, do not expose this apparatus to rain or moisture.**



---

#### EXPLANATION OF GRAPHICAL SYMBOLS:

The lightning flash with the arrowhead symbol, within an equilateral triangle, is intended to alert the user to the presence of un-insulated “dangerous voltage” within the product’s enclosure that may be of sufficient magnitude to constitute a risk of electric shock to an individual.

---



The exclamation point within an equilateral triangle is intended to alert the user to the presence of important operating and maintenance instructions in the literature accompanying the unit.



This symbol represents a portable cart warning. Do not place the AVS 2000 PRO on an unstable platform that will result in injury.

## **IMPORTANT SAFETY INSTRUCTIONS**

- 1) Read these instructions.
- 2) Keep these instructions.
- 3) Heed all warnings.
- 4) Follow all instructions.
- 5) Do not use this apparatus near water.
- 6) Clean only with dry cloth.
- 7) Do not block any ventilation openings. Install in accordance with the manufacturer's instructions.
- 8) Do not install near any heat sources such as radiators, heat registers, stoves, or other apparatus (including amplifiers) that produce heat.
- 9) Do not defeat the safety purpose of the polarized or grounding-type plug. A polarized plug has two blades with one wider than the other. A grounding type plug has two blades and a third grounding prong. The wide blade or the third prong are provided for your safety. If the provided plug does not fit into your outlet, consult an electrician for replacement of the obsolete outlet.

10) Protect the power cord from being walked on or pinched particularly at plugs, convenience receptacles, and the point where they exit from the apparatus.

11) Only use attachments/accessories specified by the manufacturer.



12) Use only with the cart, stand, tripod, bracket, or table specified by the manufacturer, or sold with the apparatus. When a cart is used, use caution when moving the cart/apparatus combination to avoid injury from tip-over.

13) Unplug this apparatus during lightning storms or when unused for long periods of time.

14) Refer all servicing to qualified service personnel. Servicing is required when the apparatus has been damaged in any way, such as power-supply cord or plug is damaged, liquid has been spilled or objects have fallen into the apparatus, the apparatus has been exposed to rain or moisture, does not operate normally, or has been dropped.

#### **PRECAUTIONS:**

---

- Please thoroughly read the safety instructions on this owner's manual prior to operating the AVS 2000 PRO.
- Keep these safety instructions for future reference when operating the AVS 2000 PRO.
- Follow all the warnings contained on this instruction sheet and operating manual, and any warnings printed on the AVS 2000 PRO.

## INSTALLATION:

---



A) **Water and moisture:** Do not use the AVS 2000 PRO near water, such as a bathtub, washbowl, or swimming pool. The AVS 2000PRO should not be exposed to dripping or splashing and no objects filled with liquids, such as vases, shall be placed on the AVS 2000 PRO.

B) **Cleaning:** Clean the AVS 2000 PRO only with a dry cloth.

C) **Ventilation:** Do not block the ventilation openings behind the AVS 2000 PRO.

D) **Heat:** Do not place the AVS 2000 PRO near any heat sources such as radiators, heat registers, stoves, or other apparatus (including amplifiers) that produce considerable amounts of heat.

E) **Objects and liquid entry:** Be advised that objects and liquids should not get inside the AVS 2000 PRO through the ventilation openings.



F) **Carts and stands:** When the AVS 2000 PRO is placed or mounted on a stand or cart, the unit should be moved with care. Quick stops, excessive force, and uneven surfaces may cause the unit and cart to overturn or fall.

**WARNING: TO REDUCE THE RISK OF FIRE OR ELECTRIC SHOCK,  
DO NOT EXPOSE THE AVS 2000 PRO TO RAIN OR MOISTURE.**



THIS DEVICE TESTED TO COMPLY WITH FCC REGULATIONS PART 15-B RADIATION LIMITS.

## **ELECTRIC POWER:**

---

- A) Power Sources:** The AVS 2000 PRO should only be connected to power sources specified in the owner's manual and marked on the unit.
- B) Grounding prong:** Do not defeat the safety purpose of the polarized or grounding-type plug. A polarized plug has two blades with one wider than the other. A grounding type plug has two blades and a third grounding prong. The wide blade or the third prong are provided for your safety. If the provided plug does not fit into your outlet, please consult a qualified electrician for replacement of the obsolete outlet.
- C) AC power cord:** Protect the power cord from being walked on or pinched particularly at plugs, convenience receptacles, and the point where they exit from the apparatus.
- D) When not in use:** Unplug the AVS 2000 PRO during lightning storms or when unused for long periods of time.

**DO NOT ATTEMPT TO SERVICE THE AVS 2000 PRO. REFER ALL SERVICING TO QUALIFIED SERVICE PERSONNEL. SERVICING IS REQUIRED WHEN THE AVS 2000 PRO HAS BEEN DAMAGED IN ANY WAY, SUCH AS THE POWER-SUPPLY CORD OR PLUG IS DAMAGED, LIQUID HAS BEEN SPILLED OR OBJECTS HAVE FALLEN INTO THE AVS 2000 PRO, THE AVS 2000 PRO HAS BEEN EXPOSED TO RAIN OR MOISTURE, DOES NOT OPERATE NORMALLY, OR HAS BEEN DROPPED.**

**PLEASE SEE THE WARRANTY INFORMATION CONTAINED IN THE OWNER'S MANUAL IF YOU HAVE ANY DIFFICULTY OPERATING THE AVS 2000 PRO.**

## TABLE OF CONTENTS

	<b>Page</b>
Important Safety Instructions .....	ii
Monstrous Introduction .....	1
Behind the Monster Stabilizer Design .....	2
AVS 2000 PRO — Front Panel .....	4
AVS 2000 PRO — Back Panel .....	6
Outlet Programming .....	7
Troubleshooting .....	8

## MONSTEROUS INTRODUCTION

Thank you for purchasing the Monster Power Professional Reference Automatic Voltage Stabilizer™ AVS 2000 PRO. The AVS 2000 PRO is designed to stabilize power line fluctuations and maintain constant voltage to your professional components.

Voltage sags (below the standard RMS value of 120 volts) are often caused by power-hungry devices which draw more power (over 1800 watts) than your studio was designed to support. This can have a direct effect on professional studio components, including amplifiers which require high power levels to operate at optimum performance level.

As a result, sound can lose tone and clarity. Amplifiers change gain structure resulting in easy-to-hear distortions. They also won't deliver peak power, dropping from 100 watts to as low as 60 watts! Your professional gear is very power hungry, too, often drawing twice as much power as a computer and other high power analog components combined. This causes even more voltage sags and ultimately compromised studio gear performance.

With the AVS 2000 PRO, all your high power devices will maintain the stability needed to deliver peak power and performance. You'll enjoy the smoothest, most natural sound and tone. And, thanks to AVS 2000 PRO's sequential turn-on feature, your high power loads can operate at peak performance without causing unnecessary electrical stress that can often pop a circuit breaker or damage your components.

## BEHIND THE MONSTER STABILIZER DESIGN



**Richard Marsh** – There are few experts able to solve the complex problems of AC power, and Richard Marsh is one of the illustrious few. He’s designed best-selling power conditioners costing more than \$3,000, and now brings his expertise to Monster Power. Richard developed Monster’s exclusive Clean Power circuitry, and several other groundbreaking designs. Richard’s background and research into amplifier and capacitors led to the development of the Servo-DC feedback circuit for power amplifiers – a technique used by virtually every manufacturer today. His status as the inventor of the MultiCap internal bypass capacitor and the driving force behind balanced circuitry has influenced the audiophile community for years. Richard is also responsible for some of high-end audio’s most respected essays and articles, and has contributed to *Fi*, *The Absolute Sound* and *Audio* magazine. He’s even included in *Who’s Who in the West!*



**Demian Martin** – Demian Martin has been solving complex AC power problems for several years. As a technical consultant for successful paper and steel mills, Demian helped create several innovative solutions for their power problems. He developed techniques that dramatically improved the efficiency of high power motor control systems – as much as 50,000 watts each – helping these companies avoid costly premiums many factories must pay for AC power inefficiency. He now brings his expertise to Monster Power’s elite research and development team.

**Noel Lee** – The Head Monster is best known for popularizing the concept of high performance audio cable over 20 years ago with his creation of Monster Cable. Originally a laser-fusion design engineer at Lawrence Livermore National Laboratory, and later a touring musician, Noel has invented or co-invented over 125 U.S. and international patents and drives the explosive growth of The Monster Group into more than 80 countries worldwide. Monster Power is his realization of a long nurtured vision of creating affordable power solutions delivering the best possible sound and picture.



## **AVS 2000 PRO — FRONT PANEL**

*NUMBERS REFER TO DRAWINGS ON PAGE 5*

### **INDEX DRAWINGS**

- 1. Input/Output Voltage Meter:** Displays input or output voltage.
- 2. Voltage Correction Meter:** Continuously displays voltage increasing or decreasing to maintain 120 volts.
- 3. Current Usage Meter:** Displays current draw.
- 4. Ground OK LED Indicator:** Indicates the wall outlet the AVS 2000 PRO is plugged into is properly grounded.
- 5. Surge Protected LED Indicator:** Indicates AVS 2000 PRO's internal surge protection is active.
- 6. Line and Neutral OK LED Indicator:** Indicates the wall outlet the AVS 2000 PRO is plugged into is properly wired.
- 7. Normal Voltage Condition:** Indicates input voltage is between 90 and 127 volts.

- 8. **Switched Outlets ON LED Indicator:** Indicates components plugged into the “switched” outlets will receive power when the ON button is pressed.
- 9. **Abnormal Voltage Condition:** Indicates input voltage has dropped below 90 volts or risen above 127 volts or that the system is waiting for stabilization.
- 10. **Sequential Power ON/OFF Button:** Press to provide AC power to switched outlets.
- 11. **Input Voltage/Readout DIMMER:** Adjusts the illumination level of the LED meters (depress and hold). Toggles input/output voltage meter (depress and release).

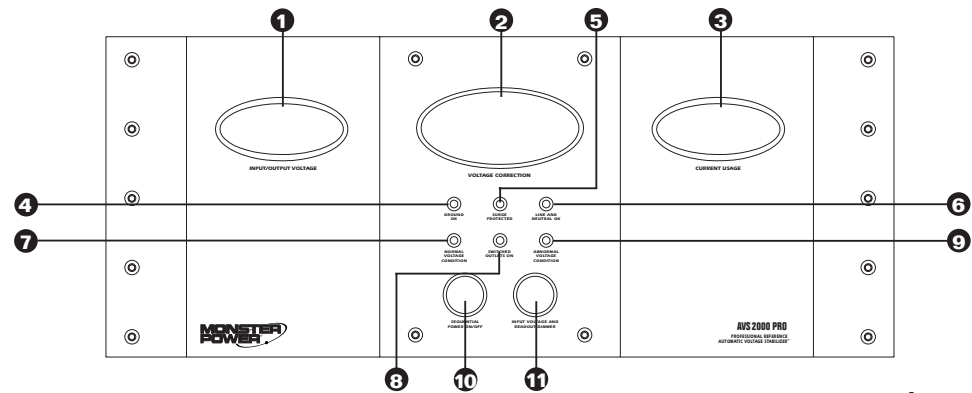


Figure 1

## AVS 2000 PRO — BACK PANEL

1. **Unswitched Outlets:** Provides power to components or Monster PowerCenters regardless of the status of the Sequential Power ON/OFF button (see Fig.1 #10).
2. **Switched Outlets:** Provides power to connected components only when the Sequential Power ON/OFF button (see Fig.1 #10) is initiated.
3. **Delay Programming:** Sets the power-up delay time for the switched outlets (see Fig.3).
4. **3-30V DC In:** Allows AVS 2000 PRO's "power on" function to be controlled by other remote enabled units (such as the Monster Power® Professional Reference PRO 7000 PowerCenter).
5. **6-12V DC Out:** Allows AVS 2000 PRO to control other remote enabled units "power on" function.
6. **Thermal Circuit Breaker:** Protects the AVS 2000 PRO from power overload.
7. **Ground Post:** Provides a ground reference point for ungrounded components.
8. **Dimmer:** Controls the light intensity of the Monster® XLR light.
9. **XLR Light Jack:** Provides power to the Monster® XLR light.

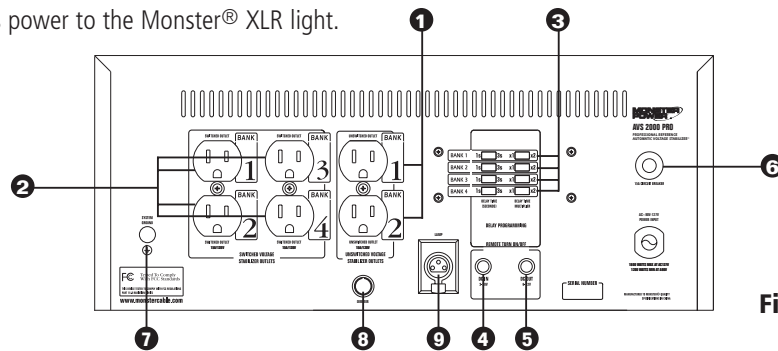
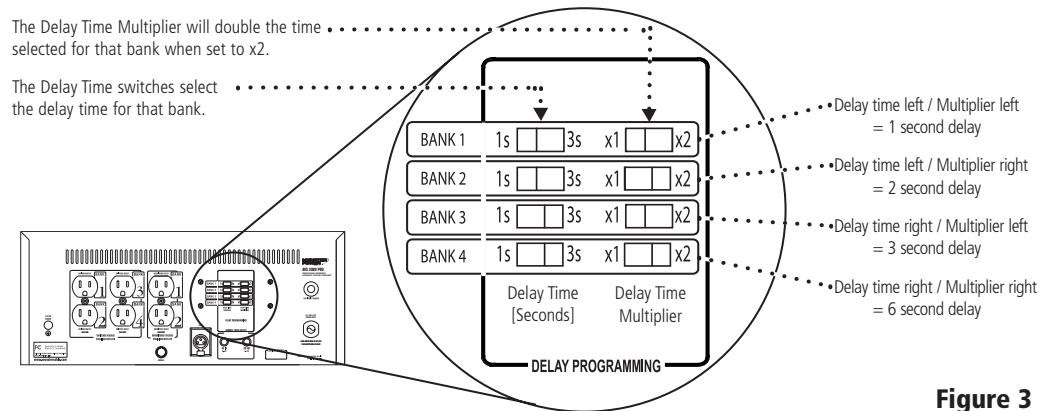


Figure 2

## OUTLET PROGRAMMING

Outlet banks 1-4 of your AVS 2000 PRO are “switched” outlets. This means you can program them for sequential turn-on. Sequential turn-on is one of AVS 2000 PRO’s key features, helping maintain the peak performance of your components. Without sequential turn-on, you’d power all your devices at once, causing unnecessary electrical stress known as “turn-on surge.” Turn-on surge can overheat system connections, pop circuit breakers, and degrade overall system performance. By sequentially powering your high power loads, you prevent turn-on surges and deliver all the stable voltage needed to maintain peak performance.

The four switched outlets located on the back of the AVS 2000 PRO can be individually programmed to delay power-up between 1 to 6 seconds. This means, in order to program each outlet, use the slide switches seen in Figure 3.



**Figure 3**

## TROUBLESHOOTING

### **PROBLEM – The AVS 2000 PRO is not receiving power.**

#### **Possible Cause #1**


The AVS 2000 PRO is not turned on.

#### **Possible Solution:**

- *Make sure the AVS 2000 PRO's AC power plug is plugged into a properly grounded 120V wall outlet.*
- *Press the ON button on the AVS 2000 PRO.*

#### **Possible Cause #2**

Too many devices are connected, causing an overload, tripping the thermal circuit breaker.

 **NOTE:** The total power consumption on all the components powered by a single AVS 2000 PRO should not exceed 1440 watts continuous or 1800 watts peak for long periods of time.

#### **Possible Solution**

- *Disconnect any component that maybe overloading the AVS 2000 PRO.*
- *Press the AVS 2000 PRO's thermal circuit breaker (labeled BREAKER 15A on the back panel) button in to reset. Please allow 10 minutes from the time the circuit breaker is initially tripped before attempting to reset. If you reset too soon, the breaker will prematurely sense power overload and not allow the unit to operate.*

**PROBLEM – AVS 2000 PRO is not providing power to the components.**

**Possible Cause #1**

The component is plugged into a “switched outlet” and the AVS 2000 PRO has not been turned on.

**Possible Solution**

- *Press the ON button on the AVS 2000 PRO and wait for a few seconds for the components plugged into the AVS 2000 PRO's “switched outlets” to be turned on.*
- *Or, plug the component into an UNSWITCHED outlet.*

## APPENDIX A

### **Product Warranty**

Professional Reference Automatic Voltage Stabilizer™ AVS 2000 PRO offers a Limited 2 Year Product Warranty.

This warranty extends only to the original purchaser and is nontransferable. During the warranty period, Monster Power will, at no additional charge, repair or replace defective parts or, at the option of Monster Power replace the entire unit.

This warranty does not extend to any Monster Power product that has been damaged or rendered defective (a) as a result of accident, misuse or abuse; (b) by the use of parts not manufactured or sold by Monster Power; or (c) by modification of product.

## GENERAL PROVISIONS

### **As To Each Warranty:**

Any technical or other advice offered before or after delivery with respect to the use and application of the product is furnished without charge and subject to the understanding that such advice is issued at the purchaser's sole risk without any limitation or modifications of any disclaimer or other provision contained herein.

**THE ABOVE ARE IN LIEU OF ALL OTHER WARRANTIES, EXPRESS OR IMPLIED, INCLUDING IMPLIED WARRANTY OF MERCHANTABILITY AND FITNESS FOR A PARTICULAR PURPOSE.**

**IN NO EVENT SHALL MONSTER POWER BE LIABLE FOR SPECIAL, INCIDENTAL, CONSEQUENTIAL OR INDIRECT DAMAGES.**

## CONNECTED EQUIPMENT CLAIM

### How To Make A Claim

In the event damage has occurred to equipment which is properly connected to a Monster Power product as a result of an abnormally high voltage spike, you must follow these instructions.

1. Call 877-800-8989.
2. Give a detailed explanation of how the damage occurred.
3. Obtain a Return Authorization Number for the Monster Power product.
4. A "Connected Equipment Claim Form" will be sent to you. This claim form must be filled out entirely and sent back with the Monster Power product.
5. Return the Monster Power product, shipping prepaid, to Monster for verification of damage, along with a copy of your sales receipt for your Monster Power product, completed Connected Equipment Claim Form, and Return Authorization Number printed on the outside of the package. The Connected Equipment Claim Form will include complete instructions for return.
6. Monster will respond as to whether the damage to the connected equipment was caused by the Monster Power product.

7. If it is determined that the damage was caused by the Monster Power product, Monster Power, at its discretion, will direct you to:
  - A. Obtain a repair estimate at a service center authorized by the manufacturer of the connected equipment; or,
  - B. Send the connected equipment to Monster Power for repair; or,
  - C. Reimburse you for the prorated fair market value of the damaged connected equipment (see Limited Connected Equipment Warranty for details).
8. If a repair estimate is required, as stated in 7A above, you will be instructed on how to properly submit Monster Power for payment.

**Note: Compensation for or restoration of data loss is not covered.**

If you have any questions regarding this claim procedure, call 877-800-8989.

## APPENDIX B

### How to Contact Us

Write to us at: Monster  
455 Valley Drive  
Brisbane, CA 94005

Visit us on the web at: [monsterpower.com](http://monsterpower.com)

Call us toll-free at: 877-800-8989



Monster, LLC  
A Division of The Monster Group™  
Las Vegas • Nevada • USA

Visit us on the web at: [monsterpower.com](http://monsterpower.com)

The Monster Power Professional Reference AVS 2000 PRO is Automatic Voltage Stabilizer is protected under U.S. Pat. No. 5,589,718. Other Patents Pending.

"Monster": "Monster Cable" "Monster Power" "Clean Power" "PowerLine" and "PowerCenter" are registered and unregistered trademarks of Monster LLC  
© 2003. Monster, LLC.